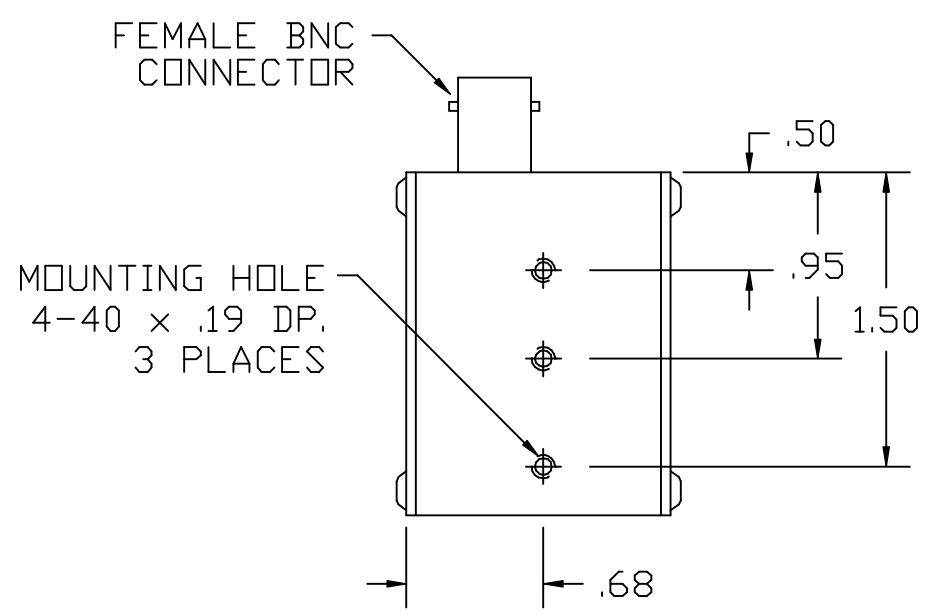
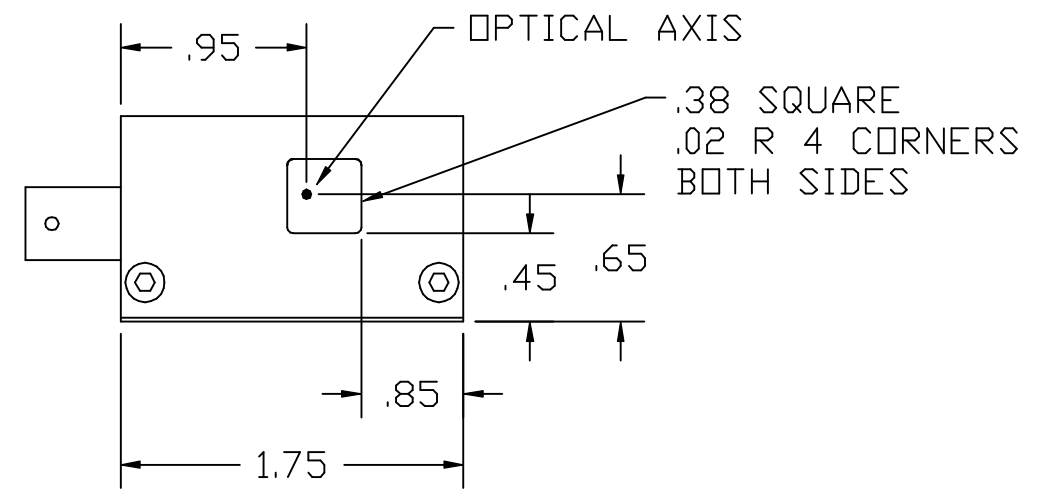
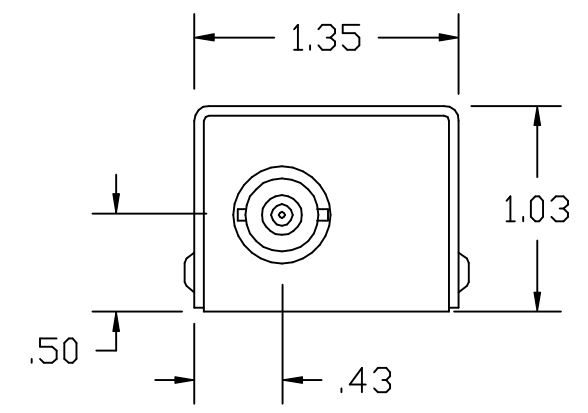


REVISIONS			
REV.	DESCRIPTION	DATE	APPROVED
A	CHANGE PER ECO 58A8747	11/5/96	G.K.

NOTES: UNLESS OTHERWISE SPECIFIED



QTY REQD	FSCM NO.	PART OR IDENTIFYING NO.	NOMENCLATURE OR DESCRIPTION	MATERIAL SPECIFICATION
PARTS LIST				
UNLESS OTHERWISE SPECIFIED DIMENSIONS ARE IN INCHES TOLERANCES ARE:		CONTRACT NO.		<b>NEOS</b>
FRACTIONS ±	DECIMALS .XX ± .02 .XXX ±	ANGLES ±	APPROVALS	
MATERIAL	FINISH	DATE	OUTLINE DWG, N23080-3	
		4/27/93		
NEXT ASSY	USED ON	CHECKED	P.S.	11/5/96
		ISSUED	E.Y.	11/5/96
APPLICATION	DO NOT SCALE DRAWING	SIZE B	FSCM NO.	DWG. NO. 53B00592
		SCALE 1/1	FILE 53B0592A	SHEET 1 OF 1